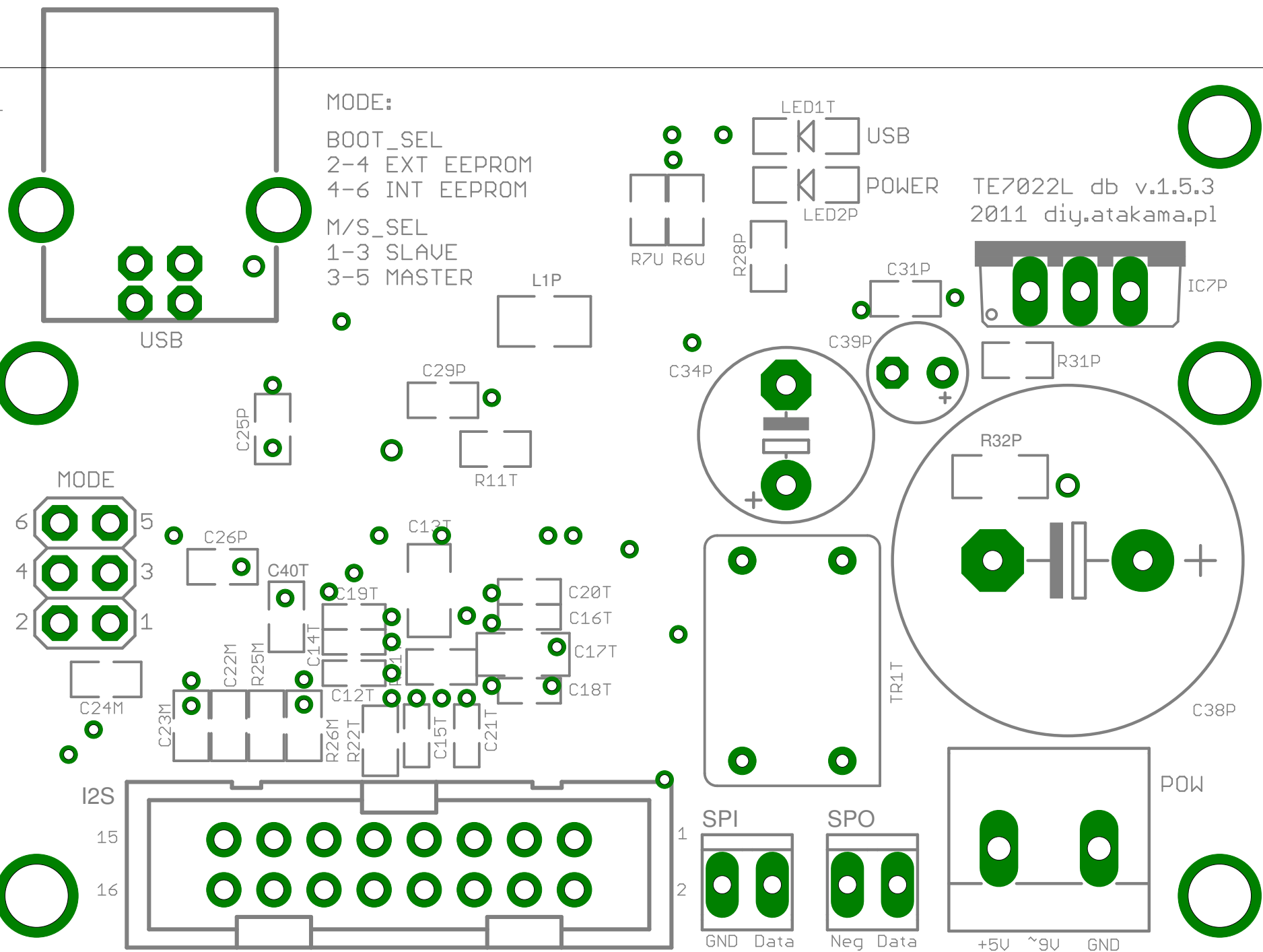


top

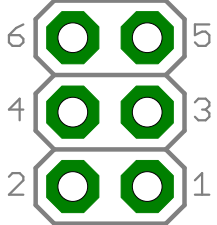
MODE:
BOOT_SEL
2-4 EXT EEPROM
4-6 INT EEPROM

M/S_SEL
1-3 SLAVE
3-5 MASTER

TE7022L db v.1.5.3
2011 diy.atakama.pl

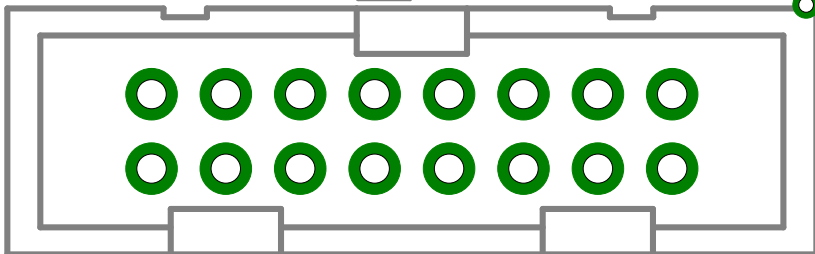


MODE



I2S

15
16



SPI

1
2

GND Data

SPO

Neg Data

POW

+5V ~9V GND